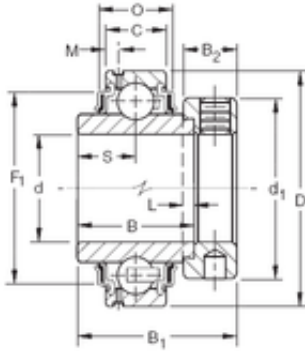




Machinery Parts USA CORP.

G-KRR Two Seals
Cylindrical O.D.



55,5625 mm x 100 mm x 55,56 mm TIMKEN G1203KRR Insert Bearings Cylindrical OD

Bearing No. G1203KRR

Size	55.5625x100x55.56 mm
Bore Diameter	55,5625 mm
Outer Diameter	100 mm
Width	55,56 mm
d	55,5625 mm
D	100 mm
B	55,56 mm
C	25 mm
P	29,01 mm
O	87,17 mm
d1	76,2 mm
B1	5 mm
B2	20,6 mm
L	4,8 mm
S	27,8 mm
F1	71,4 mm
Weight	1,365 Kg
Basic dynamic load rating (C)	48 kN

G1203KRR Bearing 2D drawings and 3D CAD models